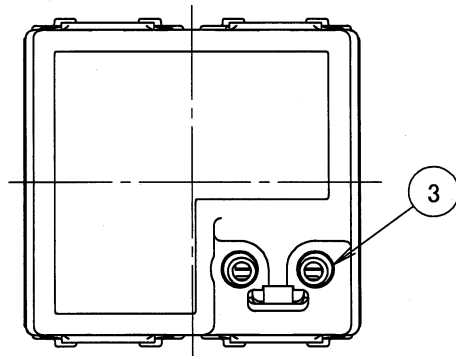
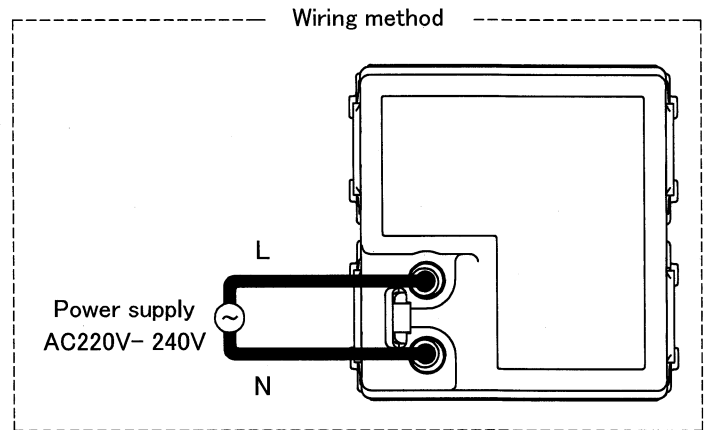


For Mass PROD.  
2025.11.07  
PMFAT/ECM DIVISION



Bottom View



Input voltage	AC220V- 240V 50/60Hz
Output voltage	DC5V/3A
Applicable plate	Partio
Applicable wire	1.5 mm <sup>2</sup> to 2.5 mm <sup>2</sup> Rigid Copper wire only
Ambient temperature range	-10°C to +40°C
Terminal	Screwless terminal type
Place for use	Indoor only

3	Terminal block			
2	Cover	PC-ABS resin	Injection	Snow White
1	Body block	Urea-Formaldehyde resins(UF)		Green
No.	Item or code No.	Material & Size	Process	Remark

Product No. : WXG4112

Specification Drawing

Product Name : X Platform  
2-port USB (USB-A Fast Charger), Horizontal,  
Quick Connect Terminal

Unit : mm

Rev.

Panasonic Manufacturing Ayuthaya Co.,Ltd.