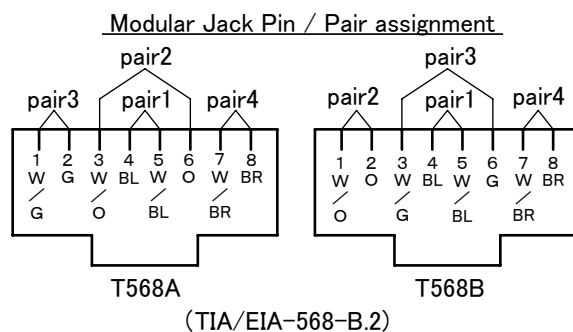


**Note**

- 1. Material of contact spring : Beryllium copper.
- 2. Plating of contact area : Plated with 1.27  $\mu$ m minimum thick gold over nickel underplate.



Applicable cable	4-Pair UTP cable, Category 6 Conductor: solid copper wire of 22AWG-24AWG (0.5mm-0.65mm in diameter) or stranded copper wire, 24AWG
Mating modular plug	"8-way unshielded free connector (miniature 8-position plug, unkeyed)" specified in IEC 60603-7

4	Modular jack	-	-	
3	Shutter	ABS	White	
2	4A8 Cover	ABS	White	
1	X61 Body	ABS	Blue	
No.	Item or code No.	Material & Size	Color	Remark
Product No. : WXG24886			Specification Drawing	
Product Name : X platform CAT6 Data Modular Jack			Unit : mm	
			Rev.	

Panasonic Manufacturing Ayuthaya Co.,Ltd.